

PM High Power EYDFA Module MP12 Series

Application

1. Module type fiber amplifier system
2. Video fiber transmission system
3. Optical distribution system
4. Lab testing
5. Optical Fiber Laser Researching



Features

- High stability and reliability: MTBF >100000 hours
- High precision APC circuit: power control accuracy typ.±0.05dB
- Intelligent temperature control system: power consumption and hot radiation reduce 30% than common products.
- Compact structure and circuit
- OEM is available

Description

The product is a high output power C-Band Er-Yb co-doped double cladding optical fiber amplifier. A proprietary ATC (Automatic Temperature Control) and an APC (Automatic Power Control) circuit ensure the high stability and reliability output power, and the unique optical circuit design ensures the excellent optical performance. The high stability and high precision MPU system ensure the control, adjustment and display are intelligent and user-friendly.

The module adopts our own patent of High Power Pump Leakage technology and patent of PUMP driving Circuit technology, to get better index and more stable performance.

Optical Characteristics

Parameter	Symbol	Min.	Typ.	Max.	Unit
Wavelength	λ_c	1540	1550	1560	nm
Output power ⁽¹⁾ (per port)	Po	27	-----	33	dBm
Input power	Pi	-3	-----	+10	dBm
Gain	G	-----	30	-----	dB
Polarization Extinction Ratio	PER	-----	18	-----	dB
Noise figure ⁽²⁾	NF	-----	-----	6.0	dB
Output power stability	ΔP_o	-----	± 0.05	± 0.2	dB
Input/output isolation	ISO i/o	30	-----	-----	dB
Input/output Pump leakage	PumpL in/out	-----	-----	-30	dB
Return loss	RL	50	-----	-----	dB
PDG	PDG	-----	-----	0.5	dB
PMD	PMD	-----	-----	0.5	ps
Output fiber	PM Fiber 900um 1m				

(1) : Optional, dual optional

Electric Characteristics

Parameter	Symbol	Min.	Typ.	Max.	Unit
Power supply	Vps	+4.8	+5.0	+5.2	VDC
Consumption ※	P	-----	20	35	W

※Actual consumption depend on the output power and environment temperature

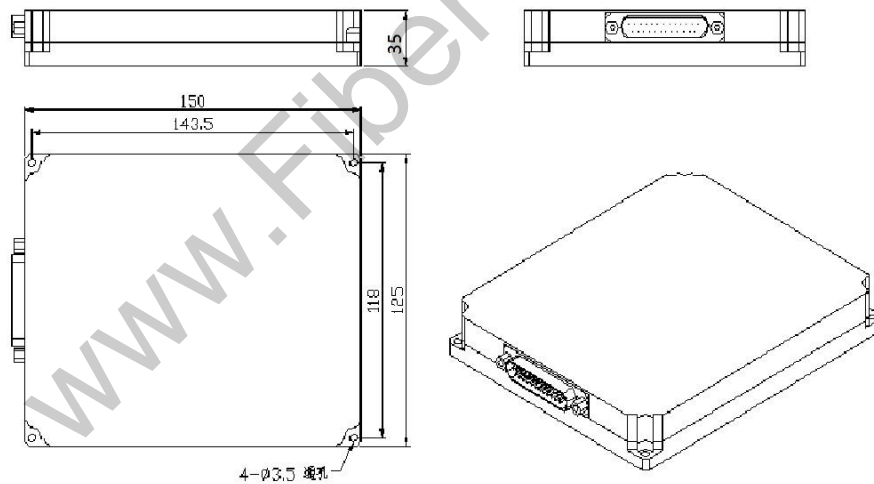
Environmental Characteristics

Parameter	Symbol	Min.	Typ.	Max.	Unit
Working temperature	T _w	-5	-----	60	°C
Storage temperature	T _s	-40	-----	80	°C
Humidity	-----	10	-----	85	%

(3) : No condensation

Mechanical size

MP12: 150x125x 35 (mm)



Order Information

M — — — — — — — —

Category	Structure	Application	Input Power	Output power	Output ports	Power	Interface
M p : M o d u l e	12:size 125*150*35 mm	3: High power EDFA	5: -3 ~ +10 dBm 9: Others	30: 30dBm ... 37: 37dBm	1.: 1 port	4: +5VDC	1: SC/UPC 2: SC/APC 3: FC/UPC 4: FC/APC 5: LC/UPC 6: LC/APC

www.Fiber-Mart.com